

Stainless Steel Globe Valve for Cryogenic Service 232 Series



Application

The RegO Goddard 232 Series Stainless Steel globe valves are designed for handling of cryogenic liquids through bulk tanks, trailers, ASU plants and piping configurations. Compatible with oxygen, nitrogen, CO₂, helium and argon.

Features

- **Top Entry:** Rugged stainless steel ASTM A351-CF3M (316L) soft seated cryogenic globe valve. This valve can be permanently installed in the line and serviced from the top
- **Soft Seated:** PCTFE Seat provides a bubble tight seal and is replaceable
- **Construction:** One piece investment cast bonnet eliminates welded joint in topworks.
- **Sizes:** ½" through 1½" (15mm through 40mm)
- **Ends:** Socket weld and Butt weld
- **Service:** Liquefied and vaporized atmospheric gases, LNG
- **Temperature Rating:** -325°F to 150°F (-198°C to +65°C)
- **Pressure Rating:** (Cold, Non-shock)
300 psig (20 barg)
400 psig (27 barg)

PED Approved,

A rugged construction and easy access are design features which provide minimum installation and maintenance cost while maintaining superior performance and operator safety.



232 Series

Ordering Information

Stainless Body Socket Weld Ends 400 psig

Part Number	Valve size Inches	Valve Size mm	Ends	Weight Lbs.	Weight Kgs.	Estimated Cv
S-000232-4S4	½"	15 mm	Socket Weld	6 lbs.	2.72 Kgs.	3.90
S-000232-8S4	1"	25 mm		10 lbs.	4.54 Kgs.	10.50

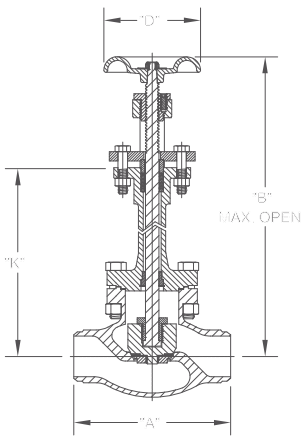
High Purity Cryogenic Bonnet Nickel Plated Naval Brass Yoke Bushing Stainless Steel Body Butt Weld Ends 300 psig

Part Number	Valve size Inches	Valve Size mm	Ends	Weight Lbs.	Weight Kgs.	Estimated Cv
S-232HCB-4WA	½"	15 mm	Butt Weld	6 Lbs.	2.72 Kgs.	3.90
S-232HCB-8WA	1"	25 mm		10 Lbs.	4.54 Kgs.	10.50
S-232HCB-12WA	1½"	40 mm		15 Lbs.	6.80 Kgs.	25.00

High Purity Cryogenic Bonnet Nickel Plated Naval Brass Yoke Bushing, Stainless Steel Body Socket Weld Ends 400 psig

Part Number	Valve size Inches	Valve Size mm	Ends	Weight Lbs.	Weight Kgs.	Estimated Cv
S-232HCB-4S4	½"	15 mm	Socket Weld	6 lbs.	2.72 Kgs.	3.90
S-232HCB-8S4	1"	25 mm		10 Lbs.	4.54 Kgs.	10.50
S-232HCB-12S4	1½"	40 mm		15 Lbs.	6.80 Kgs.	25.00

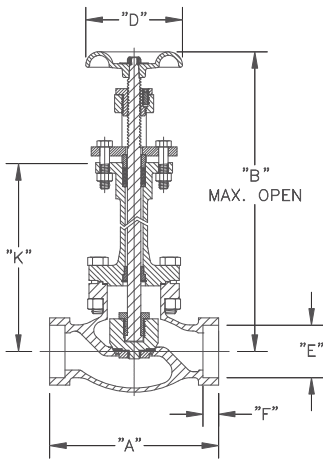
Stainless Steel Globe Valve for Cryogenic Service 232 Series



Pressure rating 300 psig non-shock cold
 Temperature rating +150° F to -325° F
 Dimensional Data
 All dimensions are in inches

Butt Weld Ends

Size	"A"	"B"	"D"	"K"
½"	4¼"	14 ⁹ / ₁₆ "	2 ³ / ₈ "	10 ³ / ₁₆ "
1"	5"	17"	3"	11 ½"
1½"	6"	18 ⁷ / ₈ "	4"	12 ⁵ / ₁₆ "



Pressure rating 400 psig non-shock cold
 Temperature rating +150° F to -325° F
 Dimensional Data
 All dimensions are in inches

Socket Weld Ends

Size	"A"	"B"	"D"	"E"	"F"	"K"
½"	4¼"	14 ⁹ / ₁₆ "	2 ³ / ₈ "	0.860	0.375	10 ³ / ₁₆ "
1"	5 ³ / ₈ "	17"	3"	1.335	0.500	11 ½"
1½"	6½"	18 ⁷ / ₈ "	4"	1.920	0.500	12 ⁵ / ₁₆ "