



Cryogenic 1/2" Combination Pressure Builder/Economizer for Bulk Vessels CB504

Application

CB504 series regulators maintain the pressure of cryogenic liquid within bulk vessels combining the pressure building and economizer function in one unit, with 1/2" npt inlet and outlet.

Features

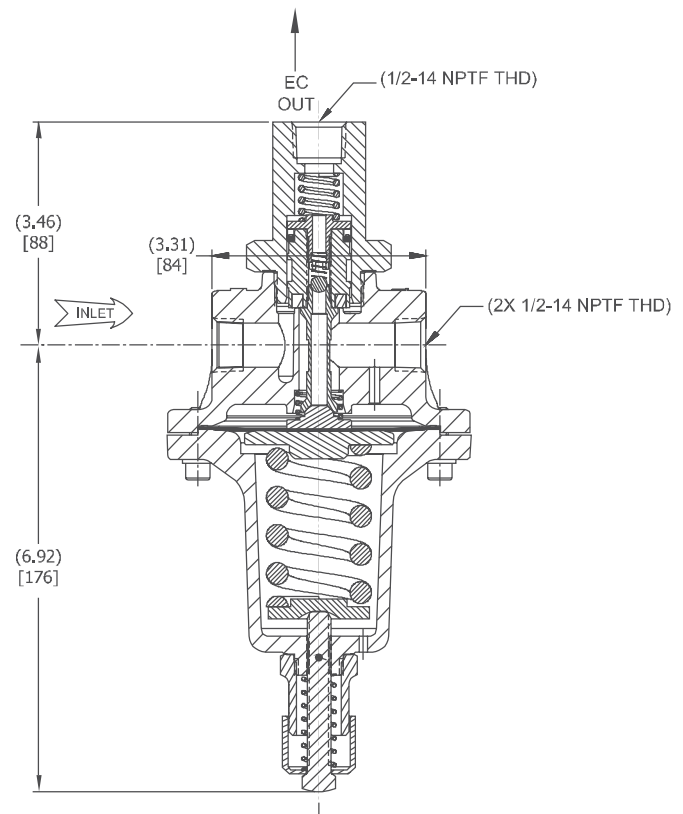
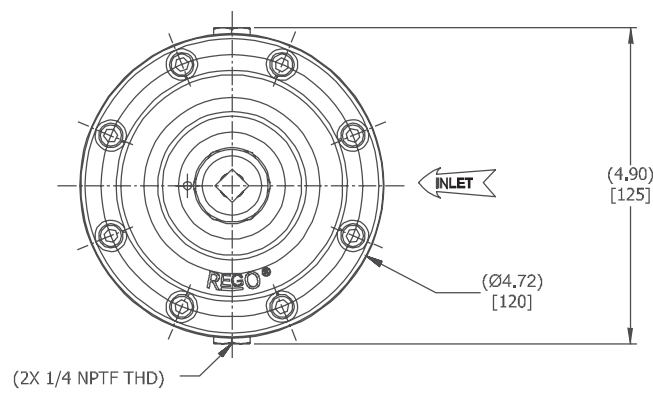
- All parts are copper alloy (brass), PTFE, and stainless steel— materials selected specifically for compatibility with cryogenic temperatures down to -320°F. (-196°C)
- Pressure setting scale on bonnet cap aids in pressure adjustment.
- Maximum inlet pressure of 400 psig (37.92 barg)
- PTFE seat provides positive shut off at cryogenic temperatures
- Compact design fits well in tight plumbing geometries
- 100% factory tested
- Cleaned per CGA G-4.1 for oxygen service
- Suitable for argon, CO2, nitrogen, oxygen and LNG



CB504

Materials

Body	Brass
Bonnet.....	Brass
Spring	Stainless Steel
Diaphragm Gasket.....	PTFE
Diaphragm.....	Phosphor Bronze
Seat.....	PTFE
Backcap Gasket	Copper



Ordering Information

Part Number	Inlet/Outlet Connections (F/NPT)	Operating Range (psig)
CB000504-B	1/2"	100-200 psig (6.9-13.8 barg)



Cryogenic 1/4" Combination Pressure Builder/Economizer CBH502 & CBC502 Series

Application

The regulator combines the function of Pressure Building and Economizer functions in one compact unit. Available in Chart and Taylor-Wharton piping geometries and a variety of pressure ratings.

Features

- All parts are copper alloy (brass), PTFE and stainless steel materials selected specifically for compatibility with cryogenic temperatures down to -320° F. (-196°C)
- PTFE seat helps assure a positive shut-off at cryogenic temperatures down to -320° F. (-196°C)
- High and low pressure builder/economizers are the same compact size designed to fit in close quarters.
- Interchangeable with existing cryogenic regulator units.
- Inlet screen helps prevent foreign material from entering the regulator.
- Locknut is provided to maintain adjusting screw setting.
- Maximum inlet pressure of 550 psig (37.9 barg)
- Cleaned for oxygen service per CGA G-4.1
- 100% Factory Tested.
- Suitable for argon, CO₂, nitrogen and oxygen.

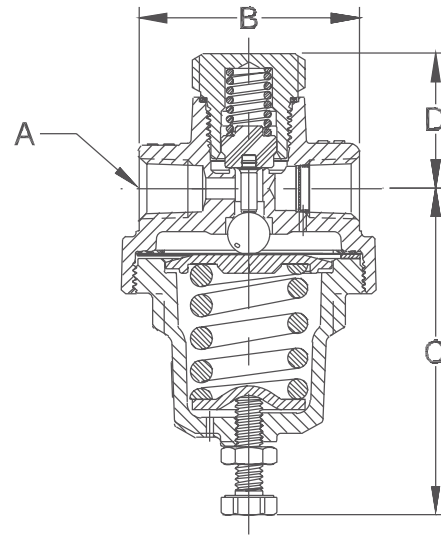
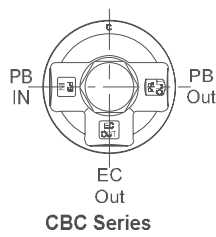
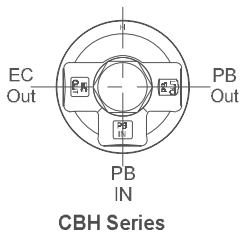


CBH502 Series



Materials

Body	Brass
Bonnet.....	Brass
Seat Disk.....	PTFE
Springs	Stainless Steel
Gaskets	PTFE & Copper
Diaphragm.....	Bronze



Ordering Information

Part Number	Inlet/Outlet Connections (F.NPT)	"A"	"B"	"C"	"D"	Factory Pressure Setting (psig)	Operating Range (psig)
CBH502-015	1/4"	1/4"	1.97"	2.89"	1.19"	15 psig (1.03 barg)	10-60 psig (0.69-4.1 barg)
CBH502-125						125 psig (8.6 barg)	50-175 psig (3.45-12.1 barg)
CBH502-300						300 psig (20.7 barg)	150-350 psig (10.3-22.4 barg)
CBH502-315						315 psig (21.7 barg)	150-350 psig (10.3-22.4 barg)
CBH502-325						325 psig (22.4 barg)	150-350 psig (10.3-22.4 barg)
CBH502-350						350 psig (24.1 barg)	150-350 psig (10.3-24.1 barg)
CBC502-015						15 psig (1.03 barg)	10-60 psig (0.69-4.1 barg)
CBC502-125						125 psig (8.6 barg)	50-175 psig (3.45-12.1 barg)
CBC502-300						300 psig (20.7 barg)	150-350 psig (10.3-22.4 barg)
CBC502-325						325 psig (22.4 barg)	150-350 psig (10.3-22.4 barg)
CBC502-350	350 psig (24.1 barg)	150-350 psig (10.3-22.1 barg)					