



Low Pressure Line Regulators 4403 Series

Application

The 4403 series regulators provide very sensitive control of a variety of gases at low pressures. The large molded diaphragm assures responsive regulation with inlet pressures up to 250 psig.

Features

- Large molded diaphragm provides highly sensitive and accurate low pressure control.
- Zinc body and bonnet resist corrosion and provide longer life.
- Teflon seat disc, teflon faced diaphragms, and stainless steel nozzles make the T4403J regulators compatible with a variety of gases.
- LV4403C2H42 features integral relief valve set at 3 psig.
- Adjusting screw is concealed by a plastic cap which helps prevent pressure adjustments by unauthorized personnel.
- Pressure gauge adapter available part # 1494-1
- Working temperature range is -40°F to +165°F. (-40°C to +74°C)
- Not suitable for oxygen applications

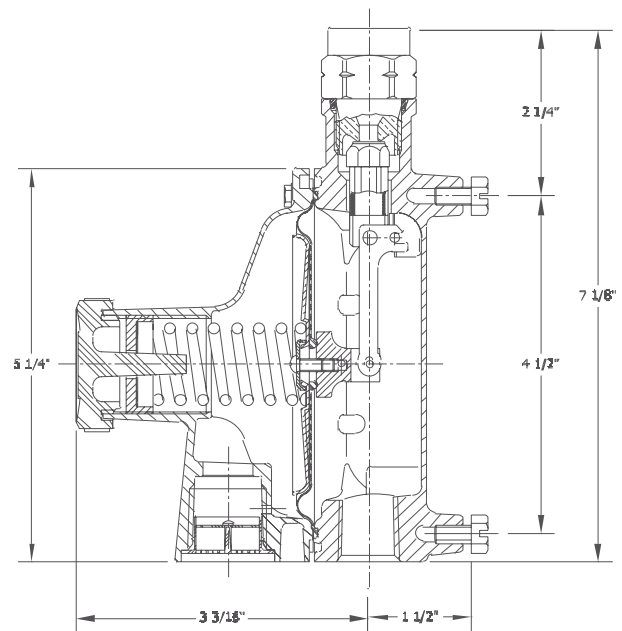
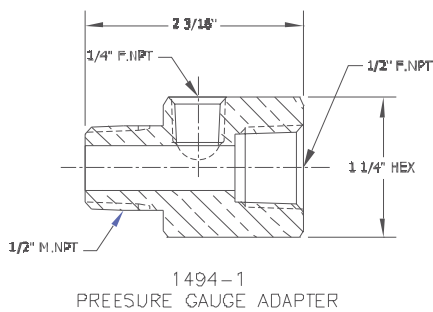


LV4403C2H42



Materials

| | |
|------------------------|---|
| Body | Zinc |
| Bonnet..... | Zinc |
| Diaphragm..... | T4403J, 4403W, S4, T4, U4 Teflon Faced Buna N |
| 4403WP4, R4..... | Buna N |
| (LV4403C)..... | Integrated Fabric and Synthetic Rubber |
| Spring | Steel |
| Seat (T4403J)..... | PTFE |
| (4403W) (LV4403C)..... | Buna N |
| Nozzle (T4403J)..... | Stainless Steel |
| (4403W, LV4403C)..... | Brass |



Ordering Information

| Part Number | Inlet Connection | Outlet Connection | Factory Delivery Pressure* | Delivery Adjustment Range | Relief Setting |
|-------------|------------------|-------------------|----------------------------|-----------------------------|--------------------------|
| 4403W-P4 | 1/2" F.NPT | 1/2" F.NPT | 5" w.c. | 3.5 - 6" w.c. | None |
| 4403W-R4 | | | 25" w.c. | 15 - 28" w.c. | |
| 4403W-S4 | | | 5 psig (0.34 barg) | 1-5 psig (0.07-0.34 barg) | |
| 4403W-T4 | | | 10 psig (0.69 barg) | 5-10 psig (0.34-0.69 barg) | |
| 4403W-U4 | | | 15 psig (1.03 barg) | 10-15 psig (0.69-1.03 barg) | |
| LV4403C2H42 | 1/4" F.NPT | 1/2" F.NPT | 1.5 psig (0.1 barg) | 1.5 psig (0.1 barg) | 3 psig (0.21 barg) ± 20% |
| T4403JS2 | | | 5 psig (0.34 barg) | 1-5 psig (0.07-0.34 barg) | None |
| T4403JT2 | | | 10 psig (0.69 barg) | 5-10 psig (0.34-0.69 barg) | |

* Based on 50 psig inlet pressure. LV4403C2H42 based on 100 psig inlet pressure.